

## Models

**PUMP404CV**

## Features

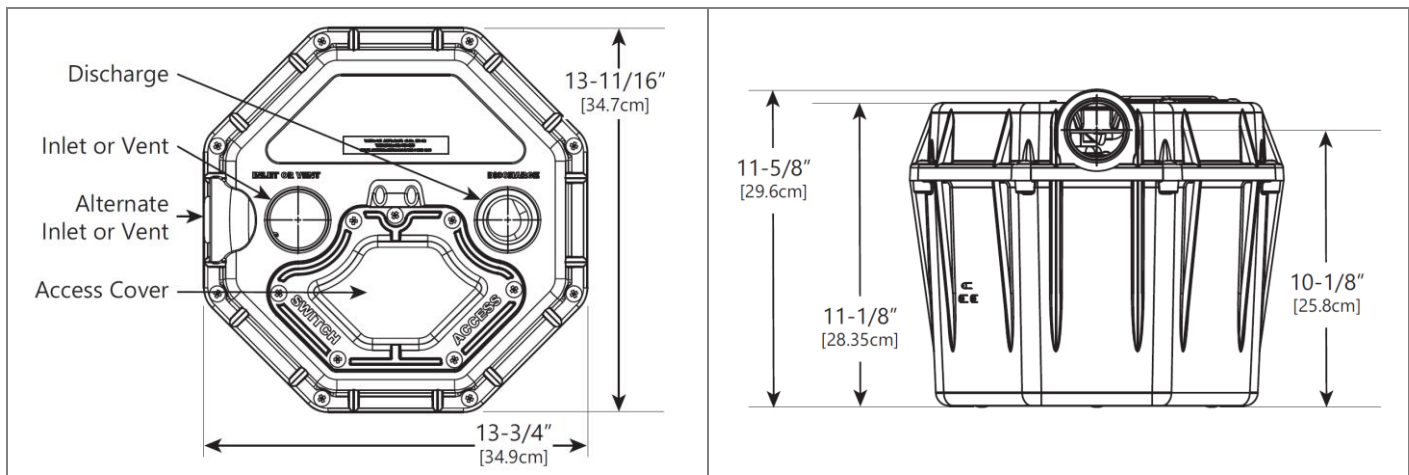
- Compact design for tight areas
- Maintenance-free, permanently lubricated sealed bearings
- Stainless steel shaft and vortex high temperature engineered polymer impeller
- Safety switch
- Quiet and reliable



## Technical Specifications

Specifications	PUMP404CV
Power	1/3HP [0.25kW]
Power Supply	115V, 1ph
Full Load Amps	5.2 Amp
Locked Rotor Amps	8 Amp
Water Inlet Size	1 1/2" [38.1mm] female NPT
Water Discharge Size	1 1/2" [38.1mm] female NPT
Maximum Liquid Temperature	Continuous flow: 104°F [40° C] Intermittent flow: 140°F [60° C]
Maximum Stator Temperature	266°F [130° C]
Thermal Overload Temperature	221°F [105° C]
Stator Winding Class	B
Cord Length	10ft [3.05m]
Automatic	Yes
Weight	13lb [5.9kg]
Unit Dimensions	W x D x H 13 3/4" x 13 11/16" x 11 5/8" [349mm x 347mm x 296mm]

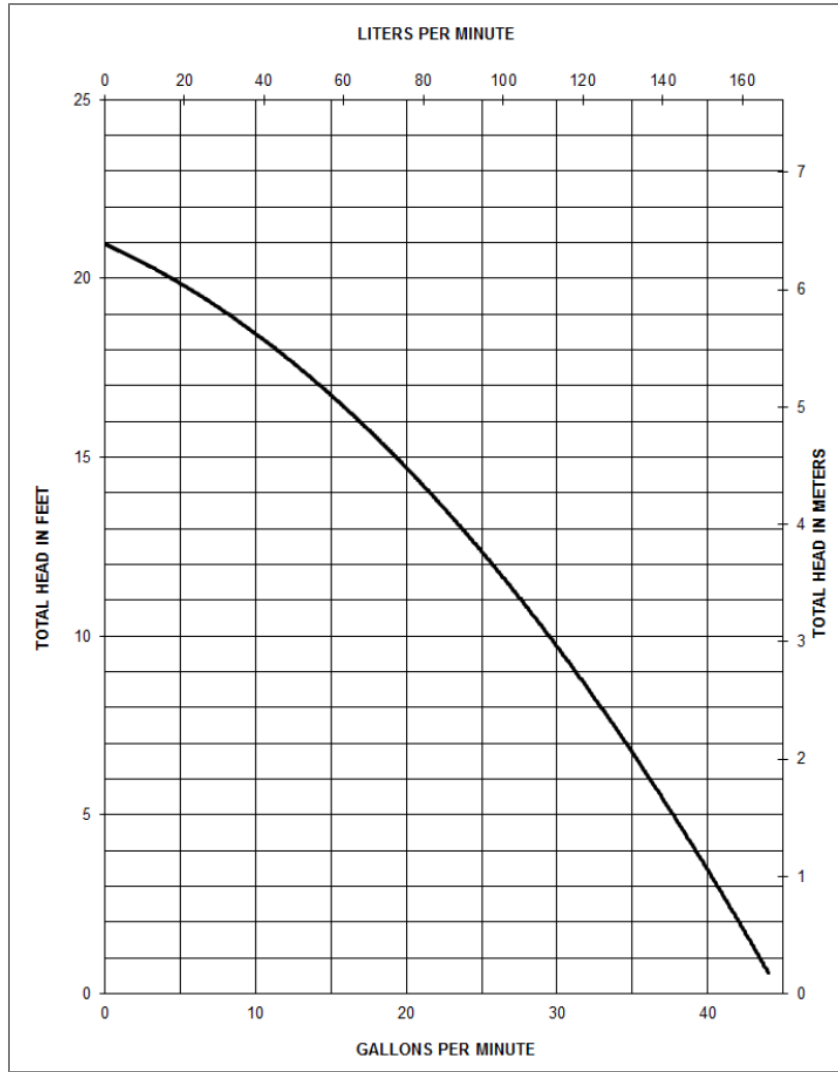
## Dimensions



**IMPORTANT:** Do not install the pump where property damage and/or personal injury might result from an inoperative or leaking pump.

**IMPORTANT:** Use standard copper hydraulic pipes.

## Pump Performance



## Wiring Diagram

